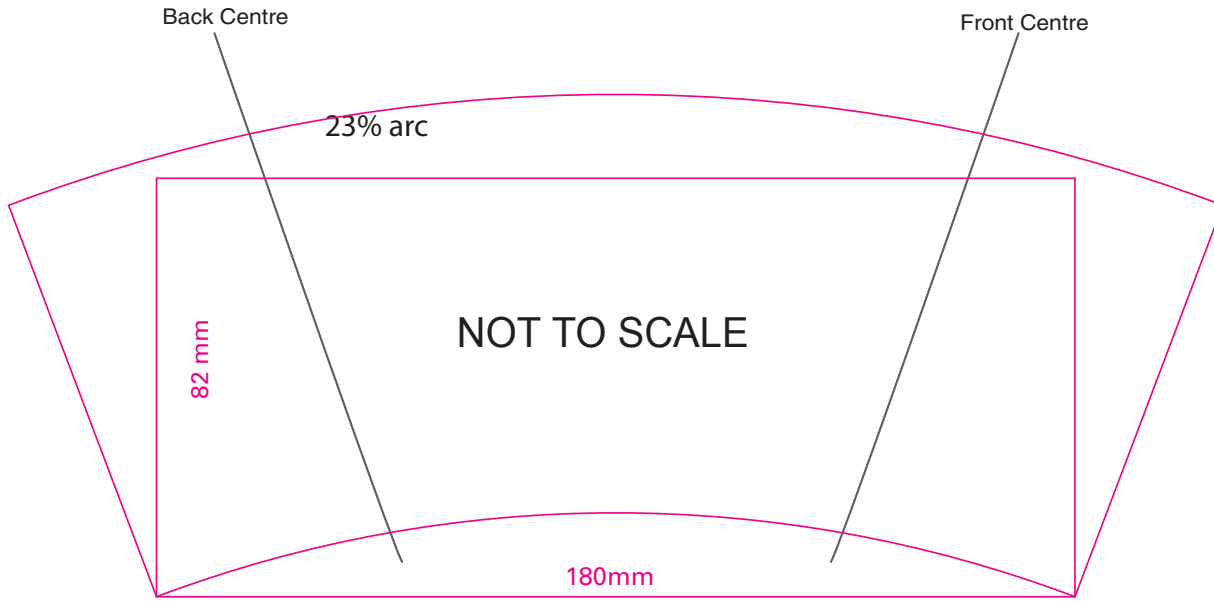
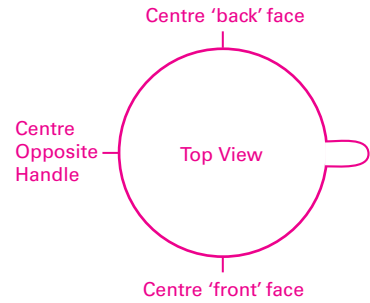
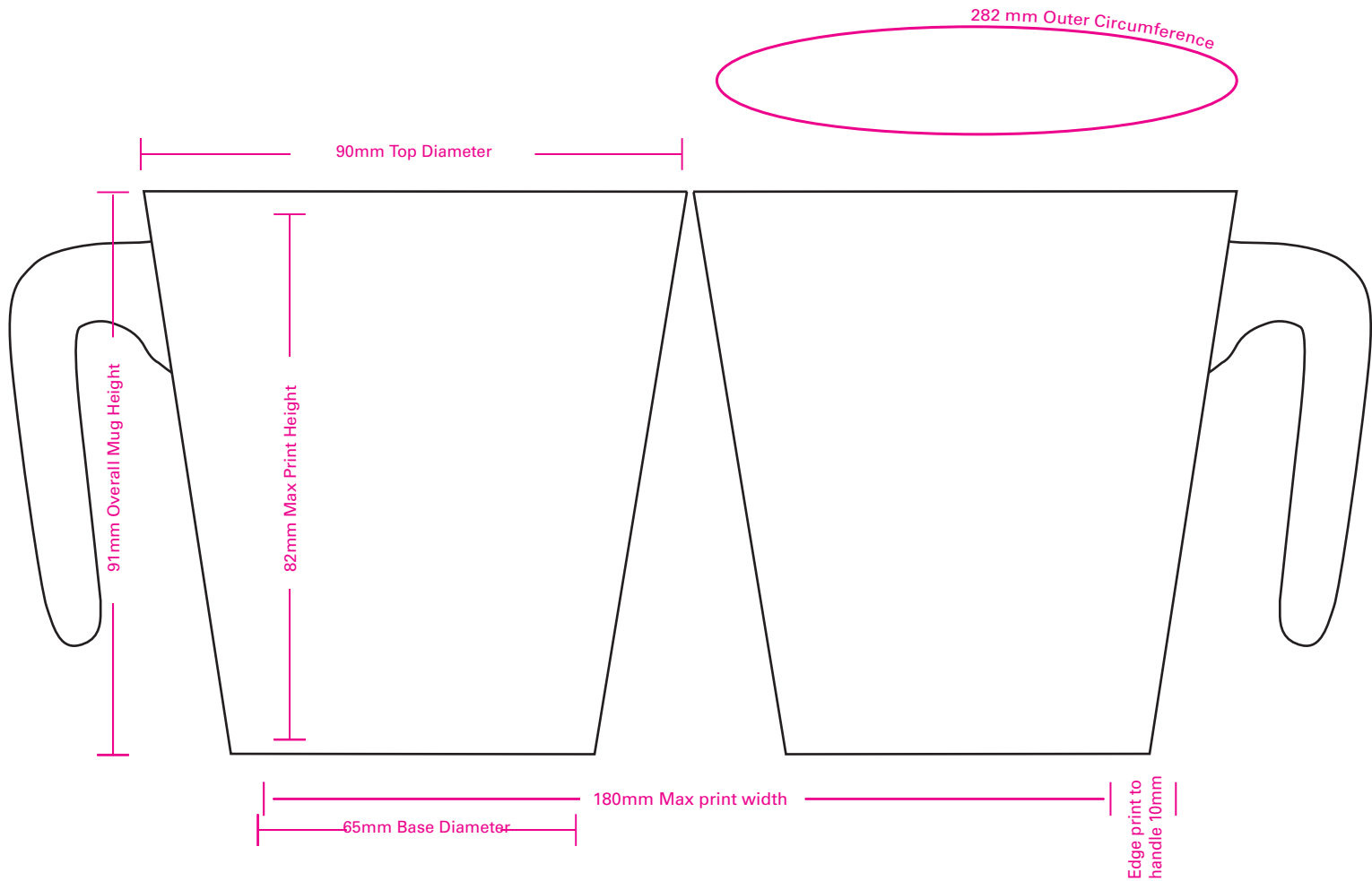


SPIKE MUG - LITHO Print Area

Spike Mug - Print area 180x82mm
has to be 'shaped into arc' as below to give full wrap



MUG PRINT AREA AFTER ARCING TO SHAPE OF MUG



Please Note:

All reference to 'front and back faces' assume mug is held in right hand.
Screen print lines should be 1pt (0.353 mm) minimum thickness to avoid drop out ('Reversed out' lines to be same to avoid fill in).
Text should be minimum 8pt to remain legible
All dimensions are subject to +/- manufacturing tolerances.